

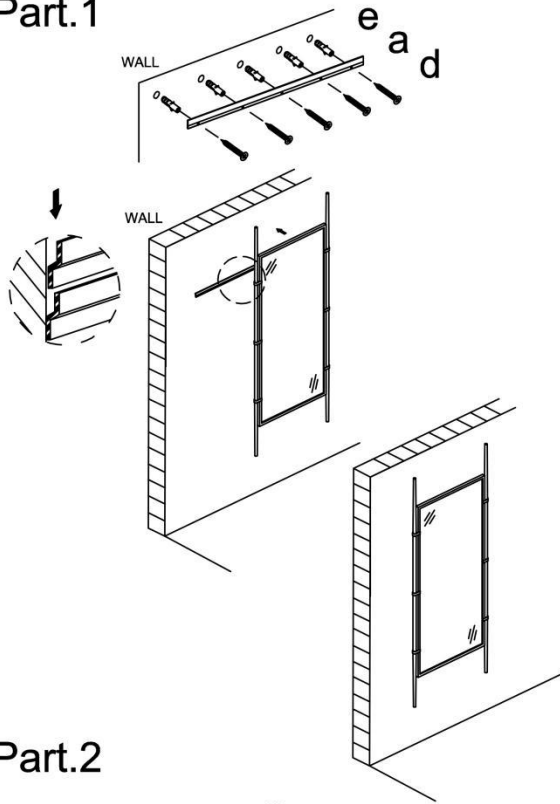
REVELATION

by UTTERMOST

ASSEMBLY INSTRUCTIONS

STYLE:R09899

Part.1



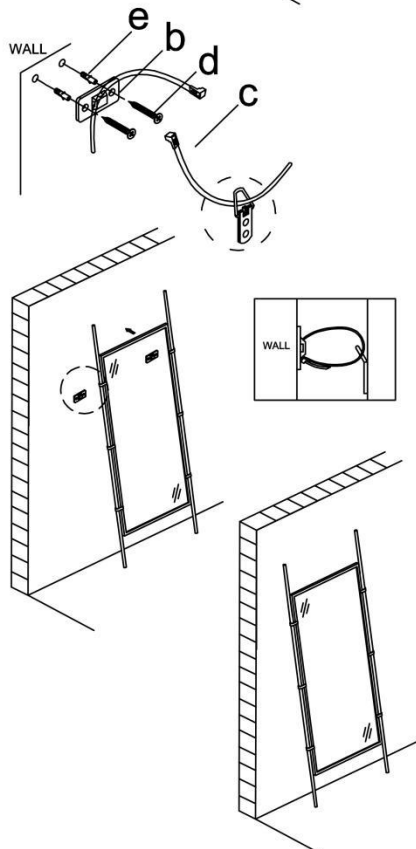
Parts list

A	Mirror	1 PC
----------	--------	------

Hardware list

a	Cleat	1 PC
b	Wall bracket	2 PCS
c	Zip Tie	2 PCS
d	Dry wall screw	9 PCS
e	Dry wall anchor	9 PCS

Part.2



Take the Mirror(A) carefully out of the carton, and then place them on a flat and soft surface, making sure that the mirror will not be damaged.

1)This mirror can be hung in vertical with Cleat , For strength and stability, Install the Cleat by Dry wall screws and wall anchors on the wall .Then hang the mirror on the wall directly. Refer to Part 1

2)This mirror can be used as a Floor mirror, For strength and stability, As a Floor mirror ,please use the Anti tip hardware fix this mirror on the wall in order to prevent overturning. Please note D-rings are attached to the back of the mirror to fix the wall Zip Tie only;This D-ring not for hanging the wall. Refer to Part 2

To Clean,wipe with soft dry cloth.